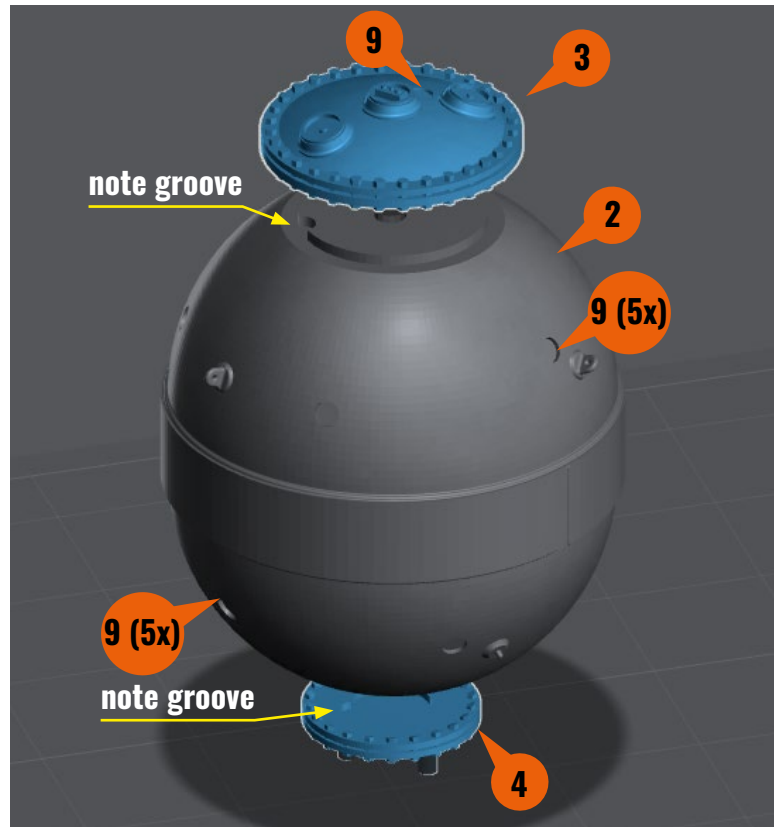
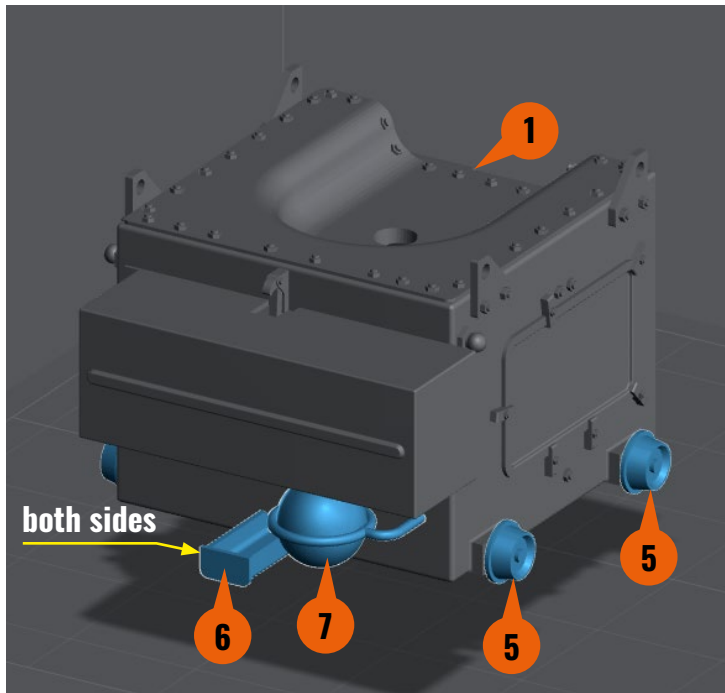
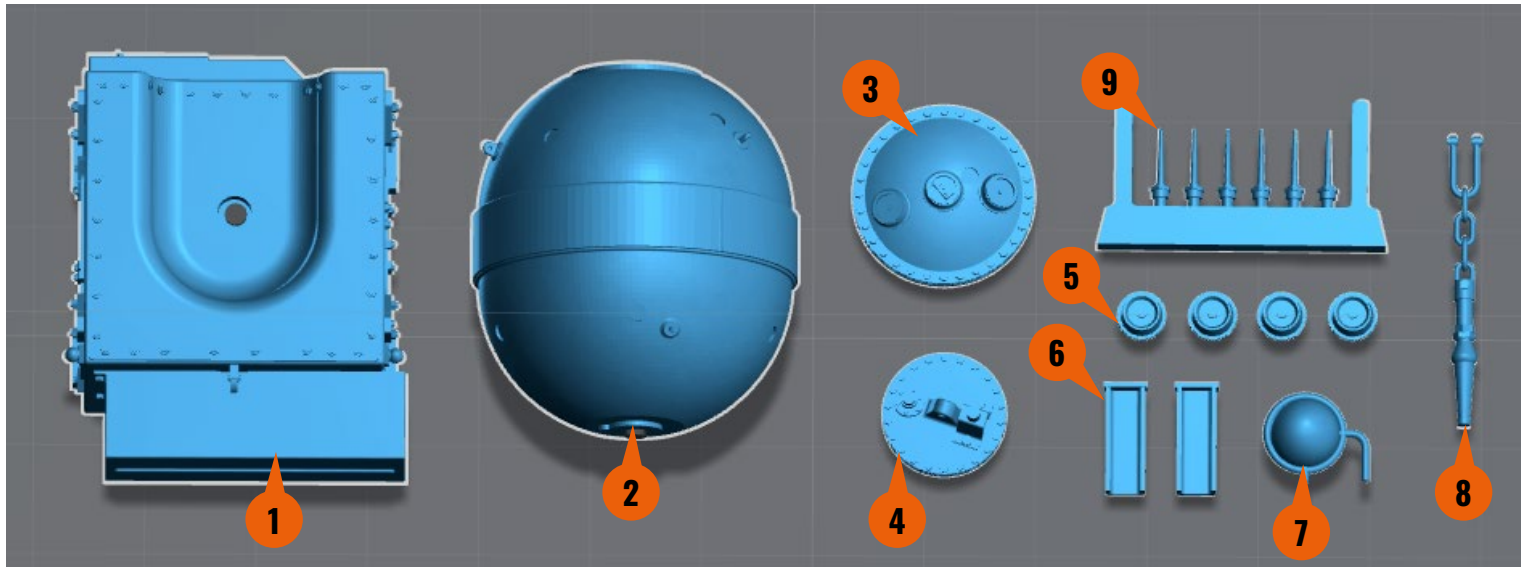




British Sea Mine MK XVII (1set)

1/35 cat.n. N35001





British Sea Mine MK XVII (1set)

1/35 cat.n. N35001

Active position



Attach chain to the bottom of mine and connect it by wire with trolley.

Transport position



For transport position do not install front spike at bottom.